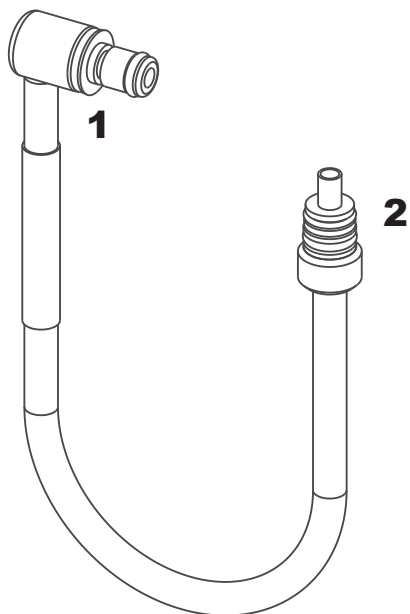


CLM-110-HU0177 Kit Components



CLM-110-HU0177

1. Basin CPC Connector
2. Water Connector

WARNINGS AND CAUTIONS

Hookups must be periodically inspected to ensure that their functionality is not impaired. Check for damage/worn connectors, missing/damaged components, kinked/blocked tubing and other damage.

DO NOT AUTOCLAVE.

Check to make sure that connections remain firmly attached during the disinfection cycle and until the completion of the cycle to ensure proper high level disinfection.

Refer to endoscope manufacturer's instruction guide for more information.

NOTE: If you have any questions regarding this hookup please contact your service technician or contact MEDIVATORS Customer Support at 1.800.444.4729 or 763.553.3300.



A Cantel Medical Company

Manufactured in the USA by:



Medivators Inc.
14605 28th Avenue North
Minneapolis, MN 55447 USA
Toll Free: +1.800.444.4729

Medivators BV
Sourthweg 11
6422PC Heerlen
The Netherlands
Tel: +31.45.5.471.471



Cantel Medical Asia/Pacific Pte. Ltd.
1A International Business Park
#05-01 Singapore 609933
Tel: +65.6227.9698

Cantel Medical Devices (China) Co. Ltd.
Unit 804-805, Innov Tower Block A,
Hongmei Road, Xuhui 200233 Shanghai
Tel: +86 21 60161380
Fax: +86 21 61210913

www.medivators.com

© 2015 Medivators Inc. 50098-861-EN Rev A