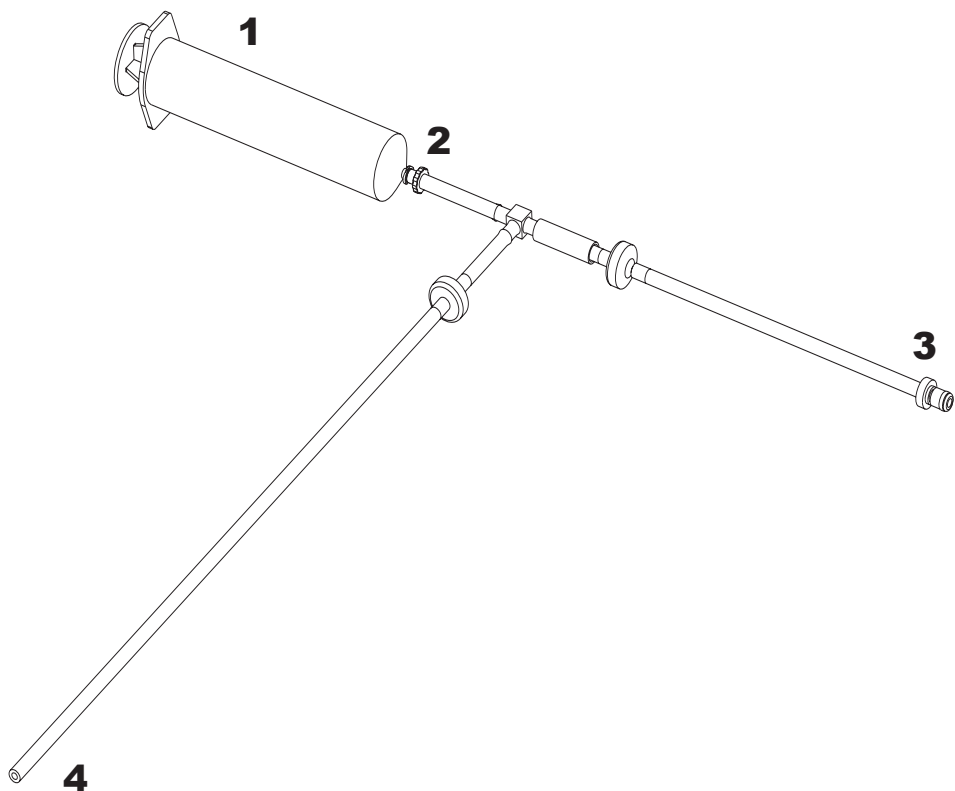


# CLM-110-HU0082 Kit Components



- 1. 60cc syringe to connect to alcohol adaptor
- 2. Connect to syringe
- 3. Connect to machine
- 4. To alcohol container

## WARNINGS AND CAUTIONS

Hookups must be periodically inspected to ensure that their functionality is not impaired. Check for damage/worn connectors, missing/damaged components, kinked/blocked tubing and other damage.

### DO NOT AUTOCLAVE.

Check to make sure that connections remain firmly attached during the disinfection cycle and until the completion of the cycle to ensure proper high level disinfection.

Refer to endoscope manufacturer's instruction guide for more information.

**NOTE:** If you have any questions regarding this hookup please contact your service technician or contact Medivators Customer Support at 1.800.444.4729 or 763.553.3300.

[www.minntech.com/medivators](http://www.minntech.com/medivators)



Manufactured in the USA by:  
**MEDIVATORS**  
 REPROCESSING SYSTEMS  
 A Minntech Corporation Business Group

Minntech Corporation  
 14605 28th Avenue North  
 Minneapolis, MN 55447 USA  
 Phone: (763) 553-3300  
 Toll Free: (800) 328-3340  
 Fax: (763) 553-3387  
 website: www.minntech.com

Minntech BV  
 Sourethweg 11  
 6422PC Heerlen  
 The Netherlands  
 Phone: +31 45 5 471 471  
 Fax: +31 45 5 429 695  
 email: info@minntechbv.com

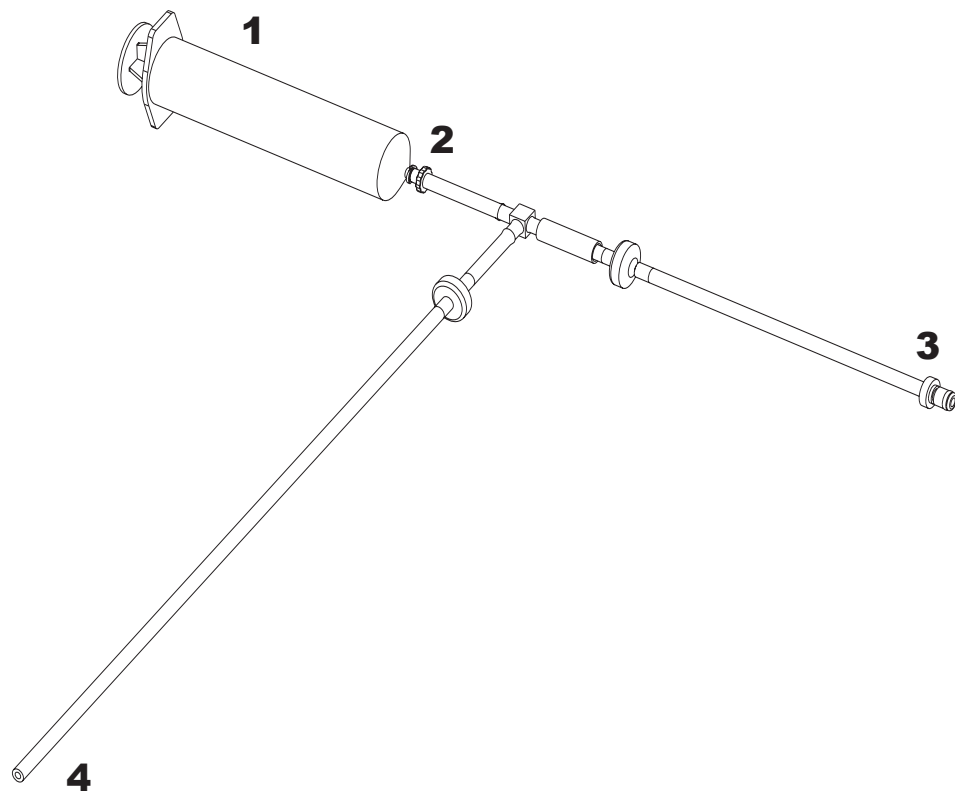
Minntech Asia/Pacific  
 438 Alexandra Road  
 #03-01 Alexandra Point  
 Singapore 119958  
 Phone: +65 6227 9698  
 Fax: +65 6225 6848

Minntech Beijing Representative Office  
 AVIC PLAZA, Room 1508B  
 No. 10 Yi Dongsanhuan Zhonglu,  
 Beijing 100022, China  
 Phone: +8610 6567 8446  
 Fax: +8610 6567 8445



© 2009, MINNTECH CORPORATION  
 50097-112/A

# CLM-110-HU0082 Kit Components



- 1. 60cc syringe to connect to alcohol adaptor
- 2. Connect to syringe
- 3. Connect to machine
- 4. To alcohol container

## WARNINGS AND CAUTIONS

Hookups must be periodically inspected to ensure that their functionality is not impaired. Check for damage/worn connectors, missing/damaged components, kinked/blocked tubing and other damage.

### DO NOT AUTOCLAVE.

Check to make sure that connections remain firmly attached during the disinfection cycle and until the completion of the cycle to ensure proper high level disinfection.

Refer to endoscope manufacturer's instruction guide for more information.

**NOTE:** If you have any questions regarding this hookup please contact your service technician or contact Medivators Customer Support at 1.800.444.4729 or 763.553.3300.

[www.minntech.com/medivators](http://www.minntech.com/medivators)



Manufactured in the USA by:  
**MEDIVATORS**  
 REPROCESSING SYSTEMS  
 A Minntech Corporation Business Group

Minntech Corporation  
 14605 28th Avenue North  
 Minneapolis, MN 55447 USA  
 Phone: (763) 553-3300  
 Toll Free: (800) 328-3340  
 Fax: (763) 553-3387  
 website: www.minntech.com

Minntech BV  
 Sourethweg 11  
 6422PC Heerlen  
 The Netherlands  
 Phone: +31 45 5 471 471  
 Fax: +31 45 5 429 695  
 email: info@minntechbv.com

Minntech Asia/Pacific  
 438 Alexandra Road  
 #03-01 Alexandra Point  
 Singapore 119958  
 Phone: +65 6227 9698  
 Fax: +65 6225 6848

Minntech Beijing Representative Office  
 AVIC PLAZA, Room 1508B  
 No. 10 Yi Dongsanhuan Zhonglu,  
 Beijing 100022, China  
 Phone: +8610 6567 8446  
 Fax: +8610 6567 8445



© 2009, MINNTECH CORPORATION  
 50097-112/A