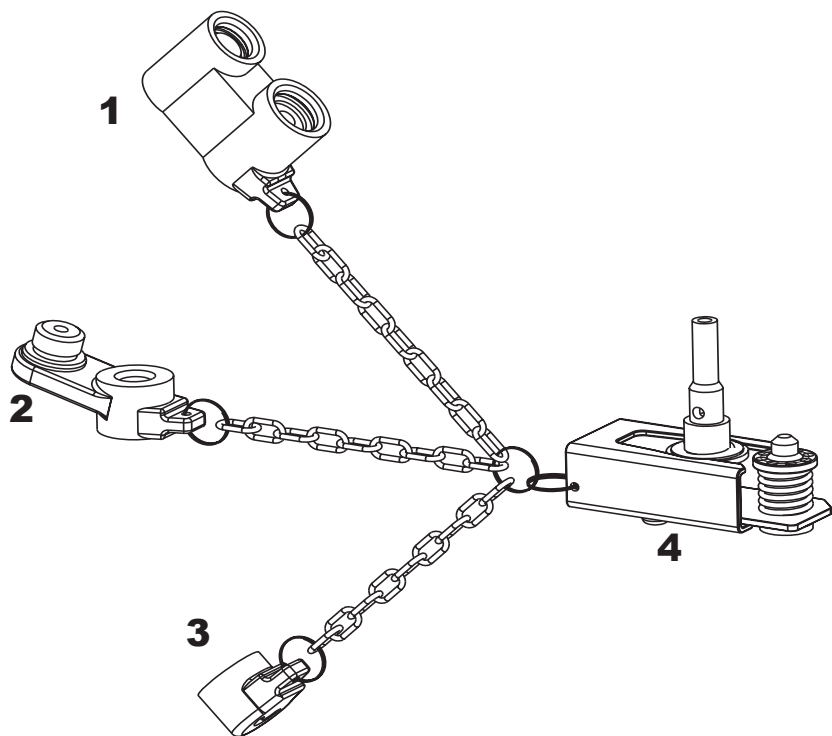
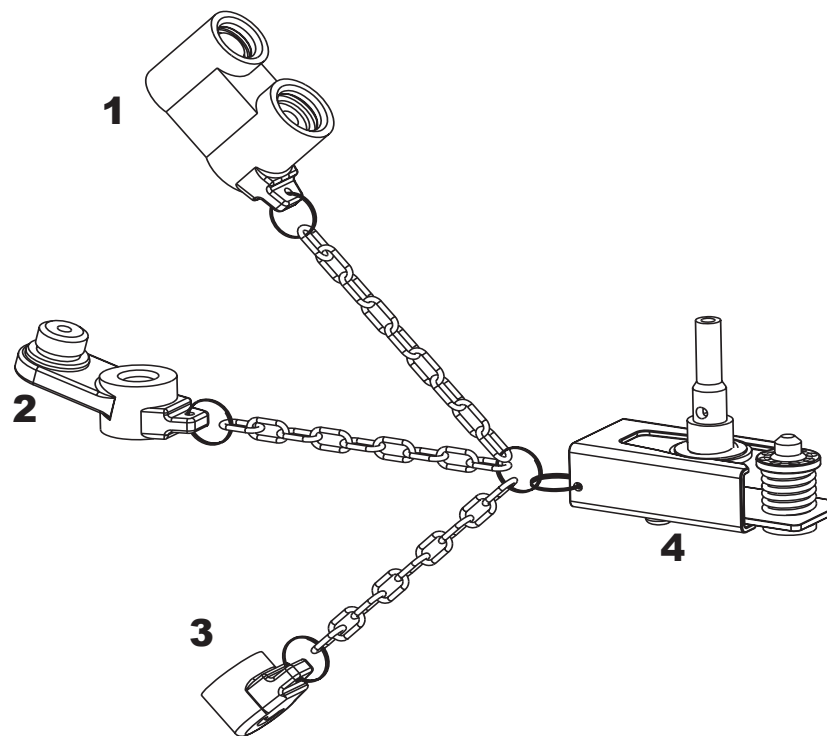


CLM-110-HU0108 Kit Components



- | | |
|------------------------------|------------------------------------|
| 1. Gas Channel Blanking Cap | 3. Instrument Channel Blanking Cap |
| 2. Twin Channel Blanking Cap | 4. Cylinder Plug |

CLM-110-HU0108 Kit Components



- | | |
|------------------------------|------------------------------------|
| 1. Gas Channel Blanking Cap | 3. Instrument Channel Blanking Cap |
| 2. Twin Channel Blanking Cap | 4. Cylinder Plug |

WARNINGS AND CAUTIONS

Hookups must be periodically inspected to ensure that their functionality is not impaired. Check for damage/worn connectors, missing/damaged components, kinked/blocked tubing and other damage.

DO NOT AUTOCLAVE.

Check to make sure that connections remain firmly attached during the disinfection cycle and until the completion of the cycle to ensure proper high level disinfection.

Refer to endoscope manufacturer's instruction guide for more information.

NOTE: If you have any questions regarding this hookup please contact your service technician or contact Medivators Customer Support at 1.800.444.4729 or 763.553.3300.

www.minntech.com/medivators

WARNINGS AND CAUTIONS

Hookups must be periodically inspected to ensure that their functionality is not impaired. Check for damage/worn connectors, missing/damaged components, kinked/blocked tubing and other damage.

DO NOT AUTOCLAVE.

Check to make sure that connections remain firmly attached during the disinfection cycle and until the completion of the cycle to ensure proper high level disinfection.

Refer to endoscope manufacturer's instruction guide for more information.

NOTE: If you have any questions regarding this hookup please contact your service technician or contact Medivators Customer Support at 1.800.444.4729 or 763.553.3300.

www.minntech.com/medivators